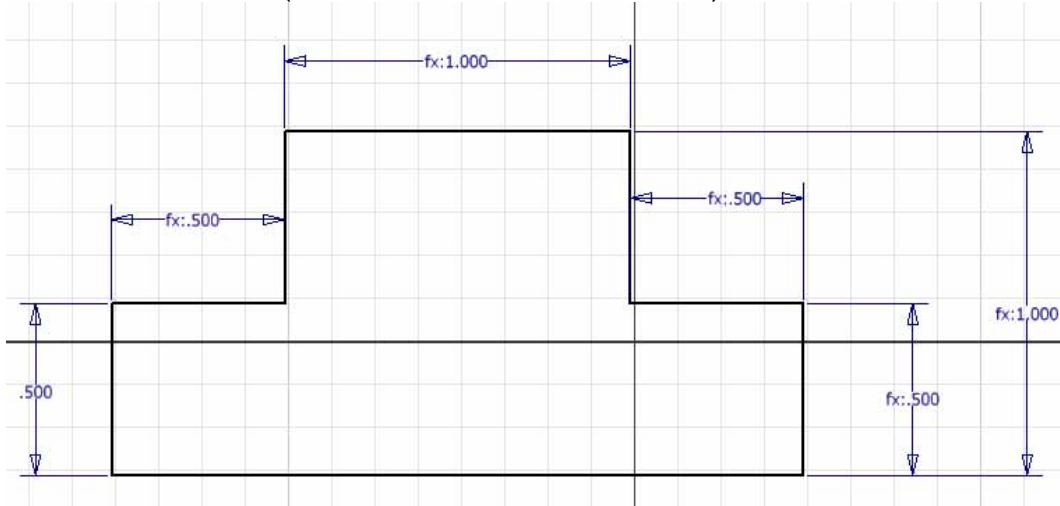


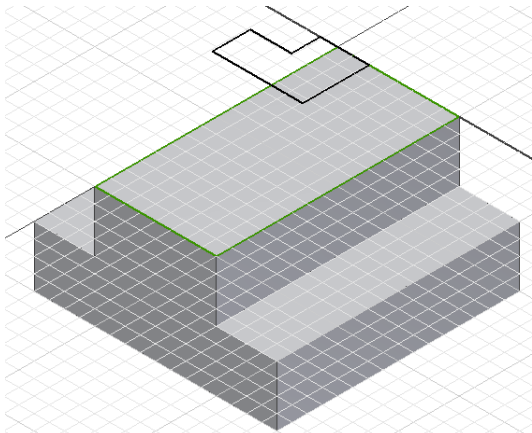
Autodesk 3

Linked dimensions (relate to Excel cell references)

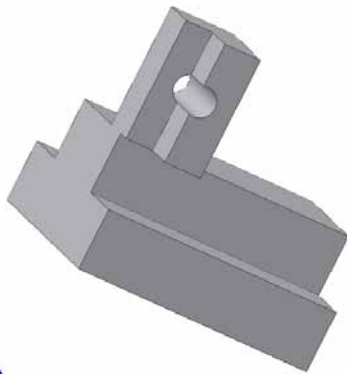


- Extrude 2in
- F6 for Isometric
- Home for Zoom All

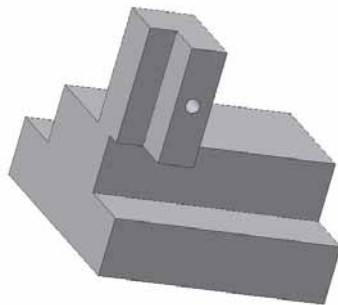
Sketch on Plane, Finish Sketch.
then Extrude 1 in



Rotate Iso View, notice
hole problem.

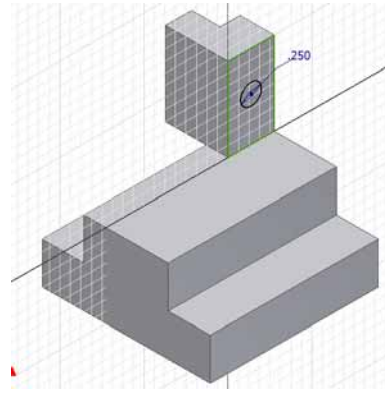


Model History – Edit
Sketch, move circle by
dragging center point,
and make dimension
smaller.



Sketch on Circle Plane, Add/Edit Dimension
Finish Sketch.

Extrude – Cut - All



Go back to sketch one, edit primary
dimension, finish sketch & See new part.
Sketch on front Face, add title bar.
Experiment with 3D Fillet.

