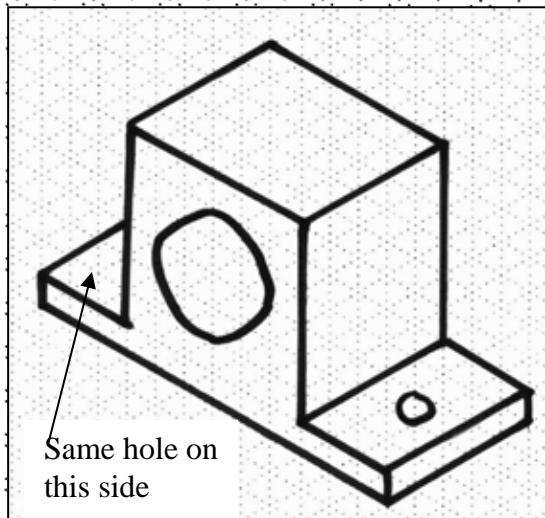


Draw Isometric (3D) and Orthographic Views (Top, Front, Right.)

A



Title: Sketching 4, Homework
Isometric Circles (Ellipses)

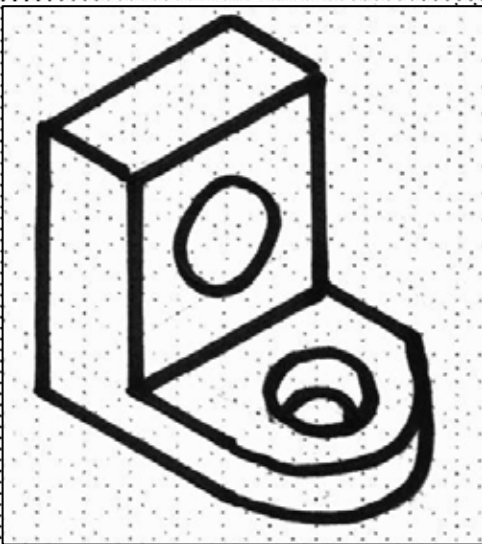
Name:

CID:

Date:

Draw Isometric (3D) and Orthographic Views (Top, Front, Right.)

B



Title: Sketching 4, Homework
Isometric Circles (Ellipses)

Name:

CID:

Date: