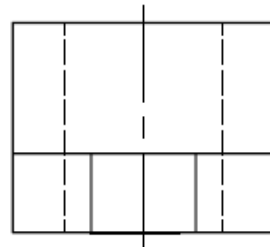
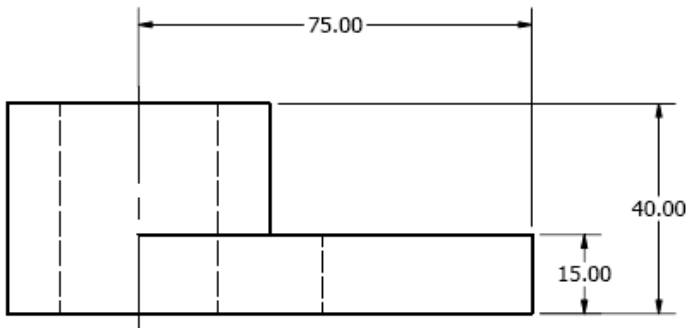
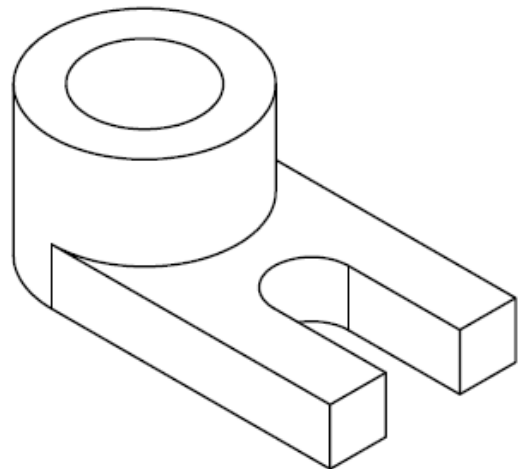
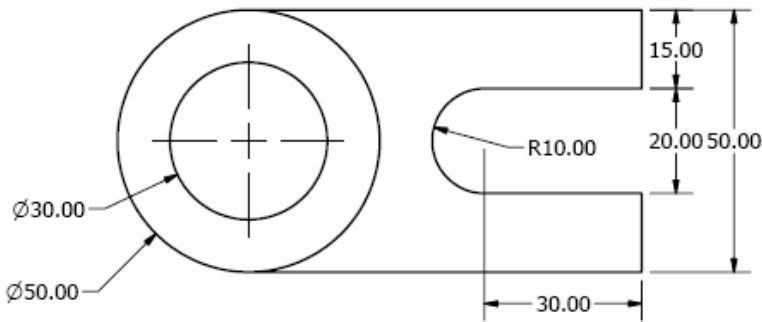
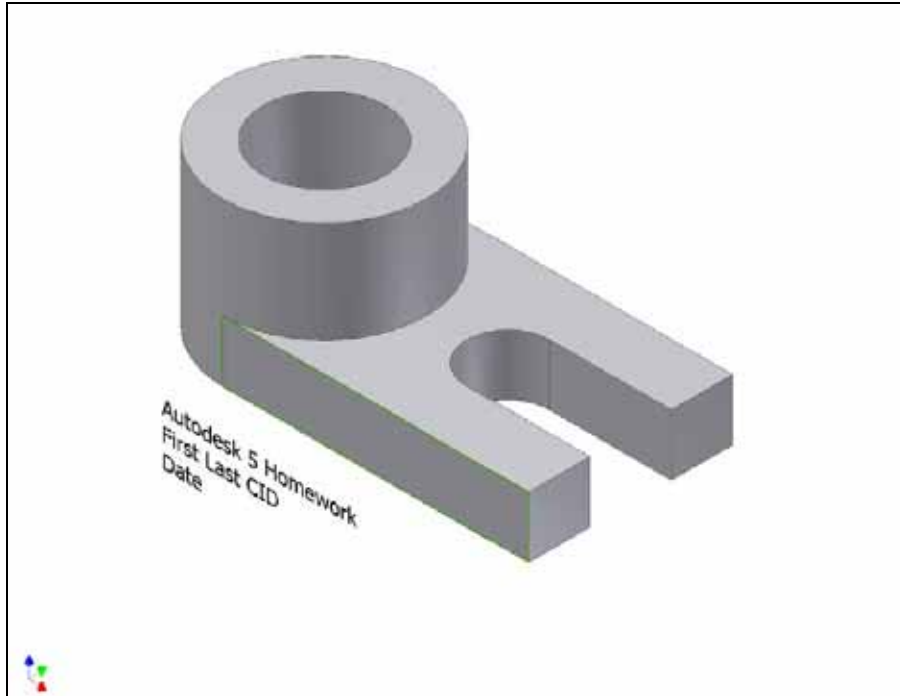


Autodesk 5 Homework

Using the dimensions provided, create the figure below. Include the title, name, cid, date information as shown.



MILLIMETERS