

Autodesk 2

Open Inventor HW 1

Viewing Tools

- Look At – change back to orthographic view
- Zoom
- Zoom All
- Pan

Tools

- Application Options
 - Colors – some color schemes print on the background, so be careful
 - General – annotation scale changes dimension font size

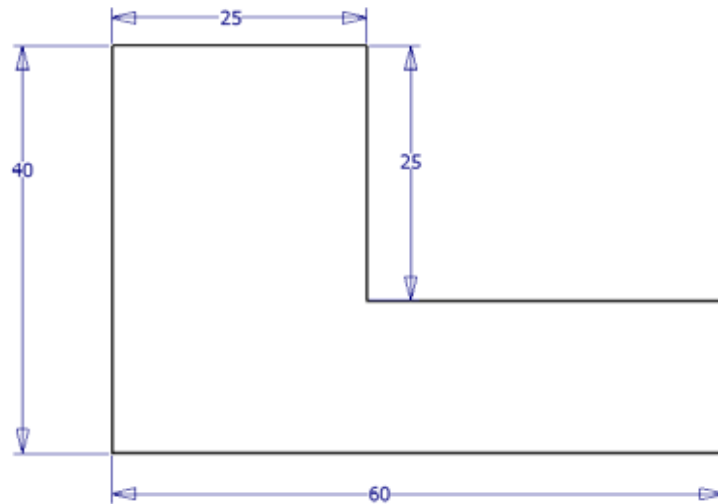
Model History

- Edit Sketch

Change the Placement of Dimensions by click-hold-drag on the number.

Insert Text

- Title
- Name, CID
- Date
- Edit Font & Size (type in size manually if necessary)



Finish Sketch

Zoom All



Inventor HW 1
First Last CID
11/4/08

Print Setup

- Select Printer
- Landscape

Print Preview

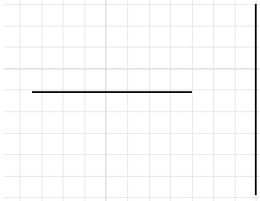
- Make sure no gridlines show – “finish sketch” if necessary

Print Homework

Autodesk 2

New Tools

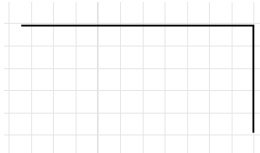
Begin with 2 perpendicular but not touching lines



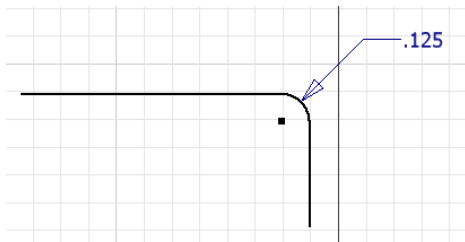
Extend one to touch the other



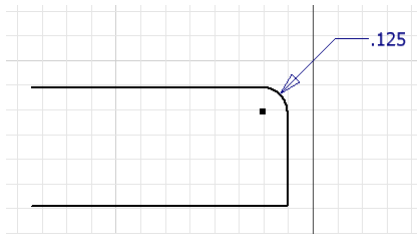
Trim.



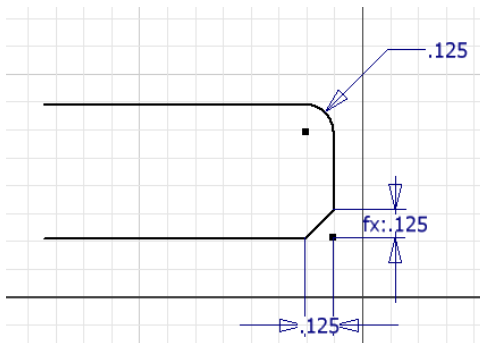
Fillet, then edit dimension to change fillet radius
Point out the tool help text in the lower left corner of the screen



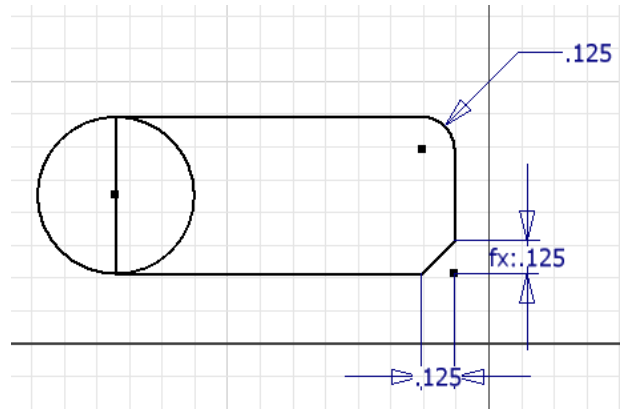
Add another line



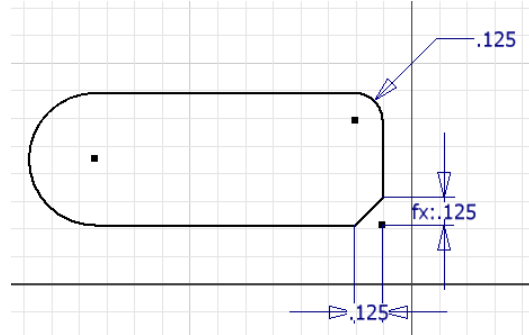
Chamfer



Add a line, this will allow the center to snap, then create a **Center-Point Circle**



Trim.



Finish Sketch.

Extrude or Revolve (for fun).



Begin Homework

